

## MERIDIAN 35

**DIMENSIONS (mm)**  
 W: 470 H: 310 D: 615

**WEIGHT (kg):** 58

**PART NUMBER:** 011688

## MERIDIAN 35HD

**DIMENSIONS (mm)**  
 W: 513 H: 310 D: 610

**WEIGHT (kg):** 78

**PART NUMBER:** 013029

## MERIDIAN 70

**DIMENSIONS (mm)**  
 W: 428 H: 450 D: 650

**WEIGHT (kg):** 71

**PART NUMBER:** 011689

## MERIDIAN 70HD

**DIMENSIONS (mm)**  
 W: 475 H: 450 D: 650

**WEIGHT (kg):** 101

**PART NUMBER:** 011722

## MERIDIAN 100

**DIMENSIONS (mm)**  
 W: 508 H: 693 D: 600

**WEIGHT (kg):** 125

**PART NUMBER:** 012576

**RESISTANCE**  
 BS EN 1063 BR 4 SG1

**CONSTRUCTION**  
 Robust steel construction with gas springs on both doors. Heavy duty pivot hinges, incorporating oilite bearings. Powder coated RAL 7028 light grey.

## MERIDIAN BULK TRANSFER UNITS

Safetell's Bulk Transfer Units enable the transference of cash or valuables into and out of a secure area without opening a door to the secure area. Typical applications include cash offices, retail stores, cash in transit and banks.

### MAIN FEATURES

- A modular solution for the transfer of cash or valuables
- Provides safety of cash by only allowing either the inner or outer doors to be interlocked or open and both doors cannot be open or closed at the same time
- Standard sizes and models to suit most applications, many bullet resistant models
- Side hung or base hung doors, dependant on model
- Can be simply and easily implemented
- Standard versions 20-25 cycles a day
- HD version up to 50 cycles a day

### OPTIONAL

- Nationwide installation if required



MERIDIAN 35



MERIDIAN 35HD



MERIDIAN 70



MERIDIAN 70HD



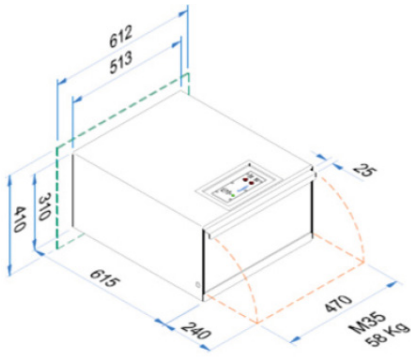
MERIDIAN 100

**SERVICE &  
 MAINTENANCE  
 AVAILABLE**

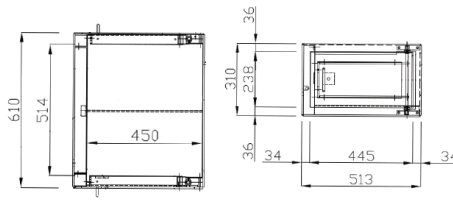
**+44 (0) 1322 223 233**

sales@safetell.co.uk safetell.co.uk

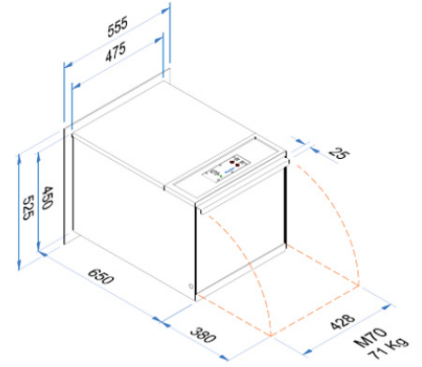
# TECHNICAL DRAWINGS



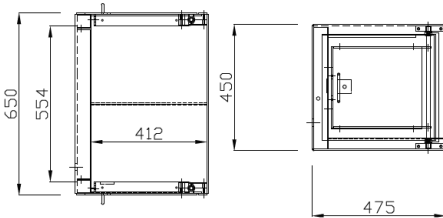
MERIDIAN 35



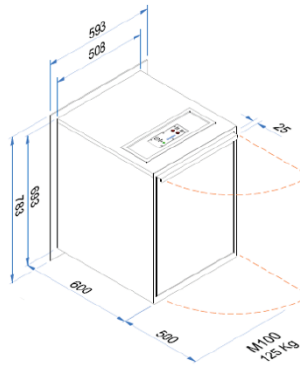
MERIDIAN 35HD



MERIDIAN 70



MERIDIAN 70HD



MERIDIAN 100

## WE ARE FULLY ACCREDITED



+44 (0) 1322 223 233