

MERIDIAN 35 COMPOSITE

DIMENSIONS (mm)
W: 1100 H: 513 D: 610
Structural opening: 520 x 1110
Standard transfer tray: D: 22 W:304

WEIGHT (kg)
125

CAPACITY (ltr)
35

MERIDIAN 35HD COMPOSITE

DIMENSIONS (mm)
W: 1100 H: 513 D: 610
Structural opening: 520 x 1110
Standard transfer tray: D: 22 W:304

WEIGHT (kg)
125

CAPACITY (ltr)
35

MERIDIAN 70 COMPOSITE

DIMENSIONS (mm)
W: 1244 H: 513 D: 650
Structural opening: 520 x 1250
Standard transfer tray: D: 22 W:304

WEIGHT (kg)
120

CAPACITY (ltr)
70

MERIDIAN 70HD COMPOSITE

DIMENSIONS (mm)
W: 1244 H: 513 D: 650
Structural opening: 520 x 1250
Standard transfer tray: D: 22 W:304

WEIGHT (kg)
150

CAPACITY (ltr)
70

RESISTANCE
BS 5051 G2/S86

CONSTRUCTION

Stainless steel or robust steel. Powder coated RAL 7028 light grey. Counter surface is grey marmoleum real ref 3182 with hardwood edgings.

DATASHEET

MERIDIAN COMPOSITE TRANSFER UNITS

Safetell's Meridian Composite Units enable the secure transfer of valuables, whilst at the same time providing a screen for visual identification that will protect against physical and ballistic attack. Typical applications include cash offices, retail stores, cash in transit, banks, stadia and local authorities.

MAIN FEATURES

- Quick and secure transfer of cash and valuable totally controlled by the cashier
- A clear view of who is on the non-secure side of the transfer unit
- Pass through sizes of up to 35ltrs or 70ltrs
- Made to order

OPTIONAL

- Nationwide installation if required
- Optional 57mm transfer tray with slider



MERIDIAN 35 COMPOSITE



MERIDIAN 35HD COMPOSITE



MERIDIAN 70 COMPOSITE



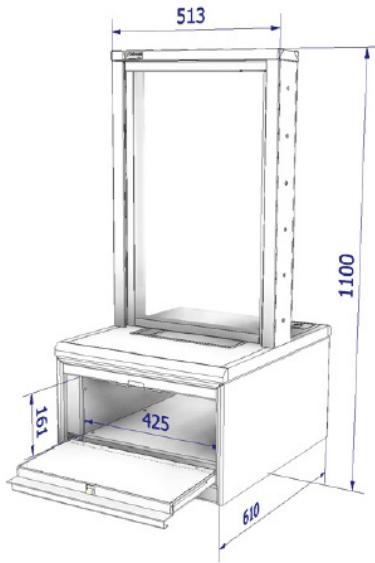
MERIDIAN 70HD COMPOSITE

SERVICE &
MAINTENANCE
AVAILABLE

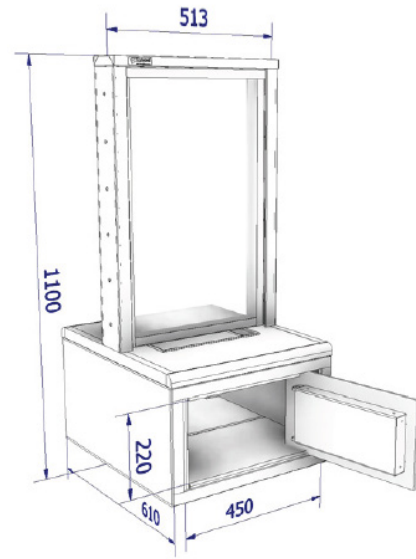
+44 (0) 1322 223 233

sales@safetell.co.uk safetell.co.uk

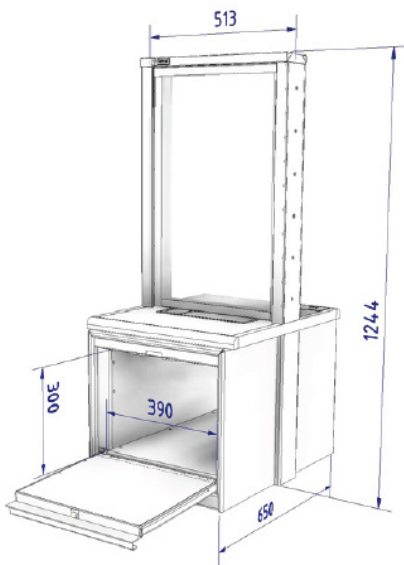
TECHNICAL DRAWINGS



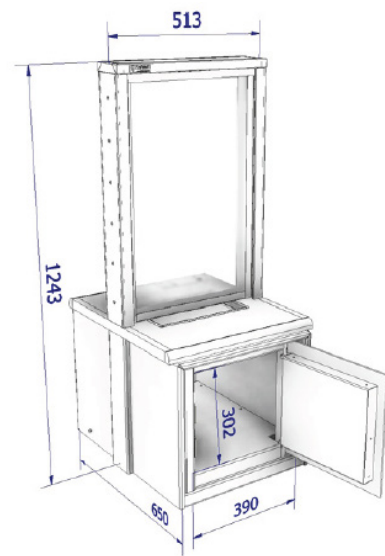
MERIDIAN 35 COMPOSITE



MERIDIAN 35HD COMPOSITE



MERIDIAN 70 COMPOSITE



MERIDIAN 70HD COMPOSITE

WE ARE FULLY ACCREDITED



+44 (0) 1322 223 233

