

PW1

DIMENSIONS (mm)
H: 918 W: 513 D: 610

WEIGHT (kg)
Standard: 60

RESISTANCE
Bullet resistance:
BS 5051 G2.44 Magnum
Manual attack resistance:
BS EN 356 P4A

PW2

DIMENSIONS (mm)
H: 794 W: 513 D: 610

WEIGHT (kg)
Standard: 47

RESISTANCE
Bullet resistance:
BS 5051 G2.44 Magnum
Manual attack resistance:
BS EN 356 P4A

PW3

DIMENSIONS (mm)
H: 794 W: 513 D: 280

WEIGHT (kg)
Standard: 47

RESISTANCE
Bullet resistance:
BS 5051 G2.44 Magnum
Manual attack resistance:
BS EN 356 P4A

PW4

DIMENSIONS (mm)
H: 855 W: 620 D: 195

WEIGHT (kg)
Standard: 72

RESISTANCE
Bullet resistance:
BS 5051 G2.44 Magnum
Manual attack resistance:
BS EN 356 P4A

PW5

DIMENSIONS (mm)
H: 1042 W: 597 D: 606

WEIGHT (kg)
Standard: 85

RESISTANCE
Bullet resistance:
BS 5051 G2.44 Magnum
Manual attack resistance:
BS EN 356 P4A

PAY WINDOWS

PW1 | PW2 | PW3 | PW4 | PW5

Protect staff securely and enhance the ticketing, information and payment process with Safetell Pay Window units. Typical applications include ticket offices, cash offices, stadia and security offices.

MAIN FEATURES

- Safetell Pay Window modules include framework, security glazing, counterwork, document or cash scoop and either passive or electronic speech transfer
- Available in bullet and manual attack resistance
- A number of item transfer options
- Countertops are produced in attractive grey marmoleum with hardwood edging

OPTIONAL

- Custom solutions made to match project requirement are available



PW1



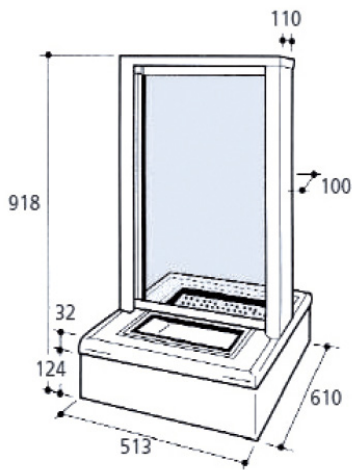
PW2

SERVICE &
MAINTENANCE
AVAILABLE

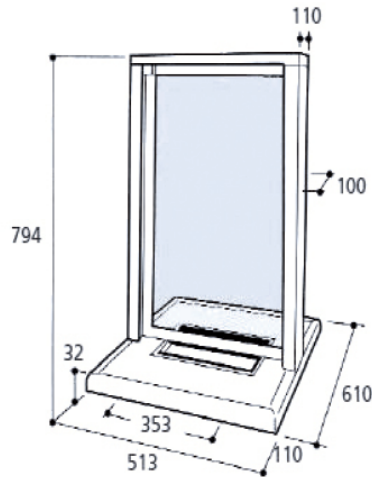
+44 (0) 1322 223 233

sales@safetell.co.uk safetell.co.uk

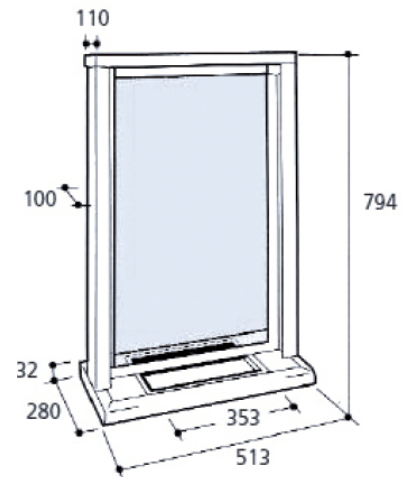
TECHNICAL DRAWINGS



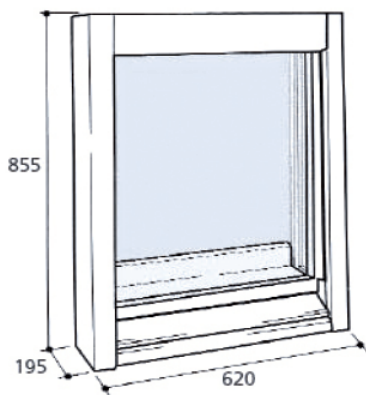
PW1



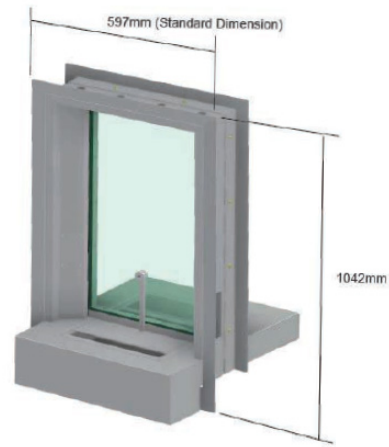
PW2



PW3



PW4



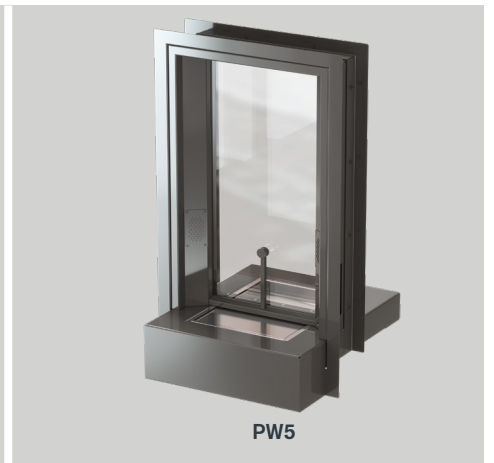
PW5



PW3



PW4



PW5

WE ARE FULLY ACCREDITED



+44 (0) 1322 223 233

